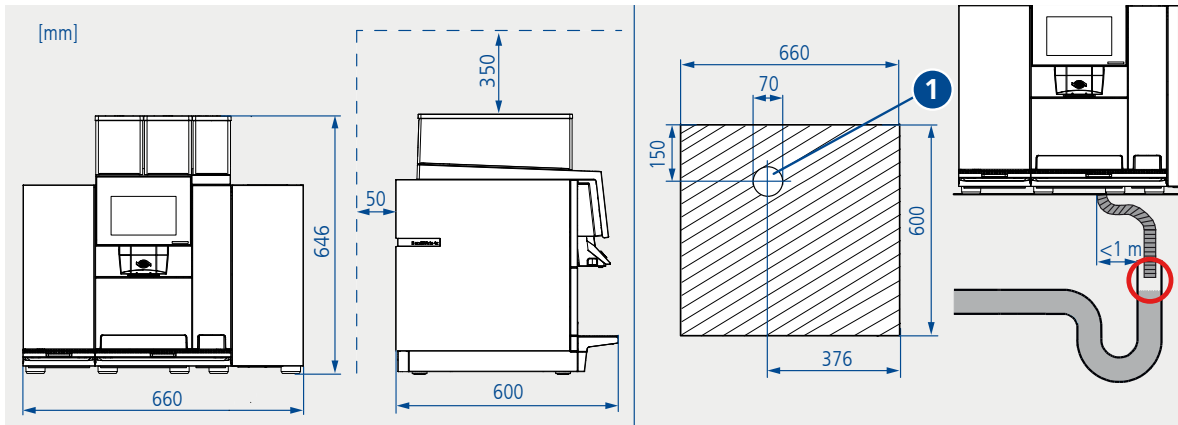


# 8 BW4c-CTM-P-F-RS



1 Hole diameter 70 mm for water-/milk inlet and water outlet. Also possible for electric cords.

### Drainage

- Distance machine to drain < 1 m.
- No dip in the drain hose.
- No back pressure in the drain hose.
- End of the hose must not be in the water.

Machine parameters		Water connection parameters	
<b>Connection</b>	2 x 220-240 VAC 12-13 A 50/60 Hz	<b>Water connection</b>	3/8"
<b>Output</b>	2700-3100 W 50 W	<b>Water pressure</b>	2-4 bar / 30-60 psi
<b>Dimensions</b>	660 x 600 x 646 mm (B / T / H)	<b>Chlorine</b>	None
<b>Coffee spout height</b>	85-175 mm	<b>TDS</b>	70-200 ppm
<b>Weight</b>	78 kg	<b>Total hardness</b>	5-8 °dH (8-14 °fH)
		<b>pH</b>	6.8-7.4
		<b>Alkalinity</b>	<100 ppm
		<b>Iron</b>	<0.25 ppm

Conversion table water hardness					
Water hardness	German	French	English	Ppm	Mval/l
1° dH	1.0	1.79	1.25	17.8	0.357
1° fH	0.56	1.0	0.7	10.0	0.2
1° e	0.8	1.43	1.0	14.3	0.86
1° ppm	0.056	0.1	0.07	1.0	0.02
1 mval/l	2.8	5.0	3.5	50.0	1.0