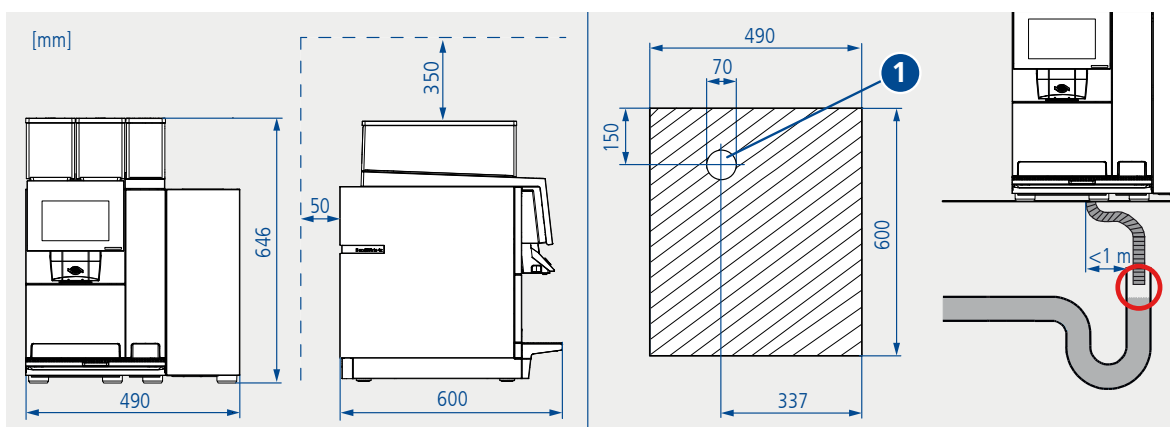


# 7 BW4c-CTM-P-F



1 Hole diameter 70 mm for water-/milk inlet and water outlet. Also possible for electric cords.

### Drainage

- Distance machine to drain <math>< 1\text{ m}</math>.
- No dip in the drain hose.
- No back pressure in the drain hose.
- End of the hose must not be in the water.

### Milk suction tube refrigerator

- Max. length milk suction tube refrigerator = 1200 mm. Position the refrigerator close enough to the coffee machine..

Machine parameters		Water connection parameters		Milk connection parameters	
<b>Connection</b>	220-240 VAC 12-13 A 50/60 Hz	<b>Water connection</b>	3/8"	<b>Length milk suction tube</b>	1200 mm
<b>Output</b>	2700-3100 W	<b>Water pressure</b>	2-4 bar / 30-60 psi	<b>Diameter milk suction tube</b>	8.5/4 mm
<b>Dimensions</b>	490 x 600 x 646 mm (B / T / H)	<b>Chlorine</b>	None		
<b>Coffee spout height</b>	85-175 mm	<b>TDS</b>	70-200 ppm		
<b>Weight</b>	62 kg	<b>Total hardness</b>	5-8 °dH (8-14 °fH)		
		<b>pH</b>	6.8-7.4		
		<b>Alkalinity</b>	<100 ppm		
		<b>Iron</b>	<0.25 ppm		

### Conversion table water hardness

Water hardness	German	French	English	Ppm	Mval/l
1° dH	1.0	1.79	1.25	17.8	0.357
1° fH	0.56	1.0	0.7	10.0	0.2
1° e	0.8	1.43	1.0	14.3	0.86
1° ppm	0.056	0.1	0.07	1.0	0.02
1 mval/l	2.8	5.0	3.5	50.0	1.0