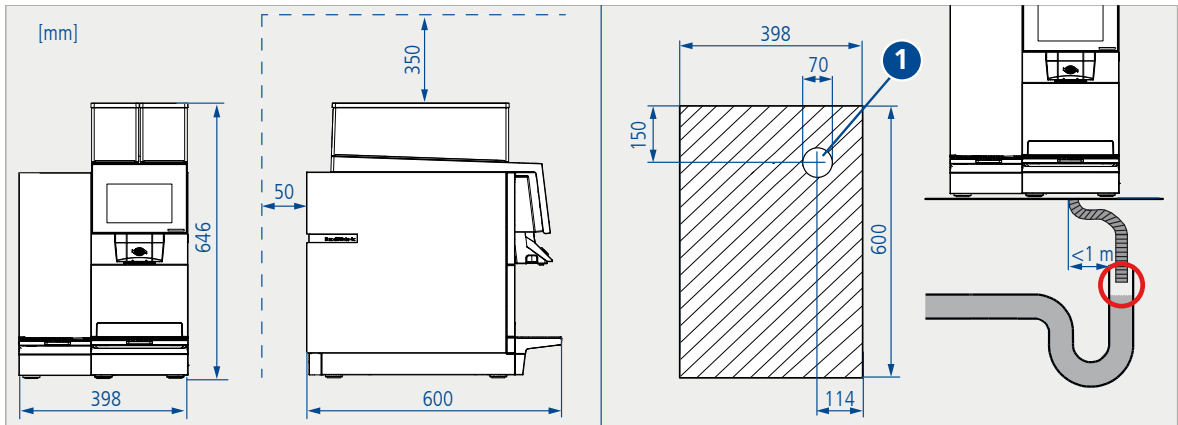


## 2 BW4c-CTM-RS



1 Hole diameter of 70 mm for water/milk inlet and water drain. Also possible for power cord.

### Drain

- Distance of machine to drain < 1 m.
- The drain line (hose) must not sag.
- No back pressure in the water line.
- The end of the line must not be submerged in water.

Machine parameters		Water connection specifications	
<b>Connection</b>	220-240 VAC 12-13 A 50/60 Hz	<b>Water supply</b>	3/8"
<b>Power</b>	2700-3100 W	<b>Dynamic water pressure</b>	2-4 bar / 30-60 psi
<b>Power RS</b>	50 W	<b>Chlorine</b>	None
<b>Dimensions</b>	398 x 600 x 646 mm (W / D / H)	<b>TDS</b>	70-200 ppm
<b>Coffee outlet height</b>	85-175 mm	<b>Total hardness</b>	5-8 °dH (8-14 °fH)
<b>Weight</b>	56 kg	<b>pH</b>	6.8-7.4
		<b>Alkalinity</b>	<100 ppm
		<b>Iron</b>	<0.25 ppm

Water hardness conversion table					
Hardness	German	French	English	Ppm	Mval/l
1° dH	1.0	1.79	1.25	17.8	0.357
1° fH	0.56	1.0	0.7	10.0	0.2
1° e	0.8	1.43	1.0	14.3	0.86
1° ppm	0.056	0.1	0.07	1.0	0.02
1 mval/l	2.8	5.0	3.5	50.0	1.0